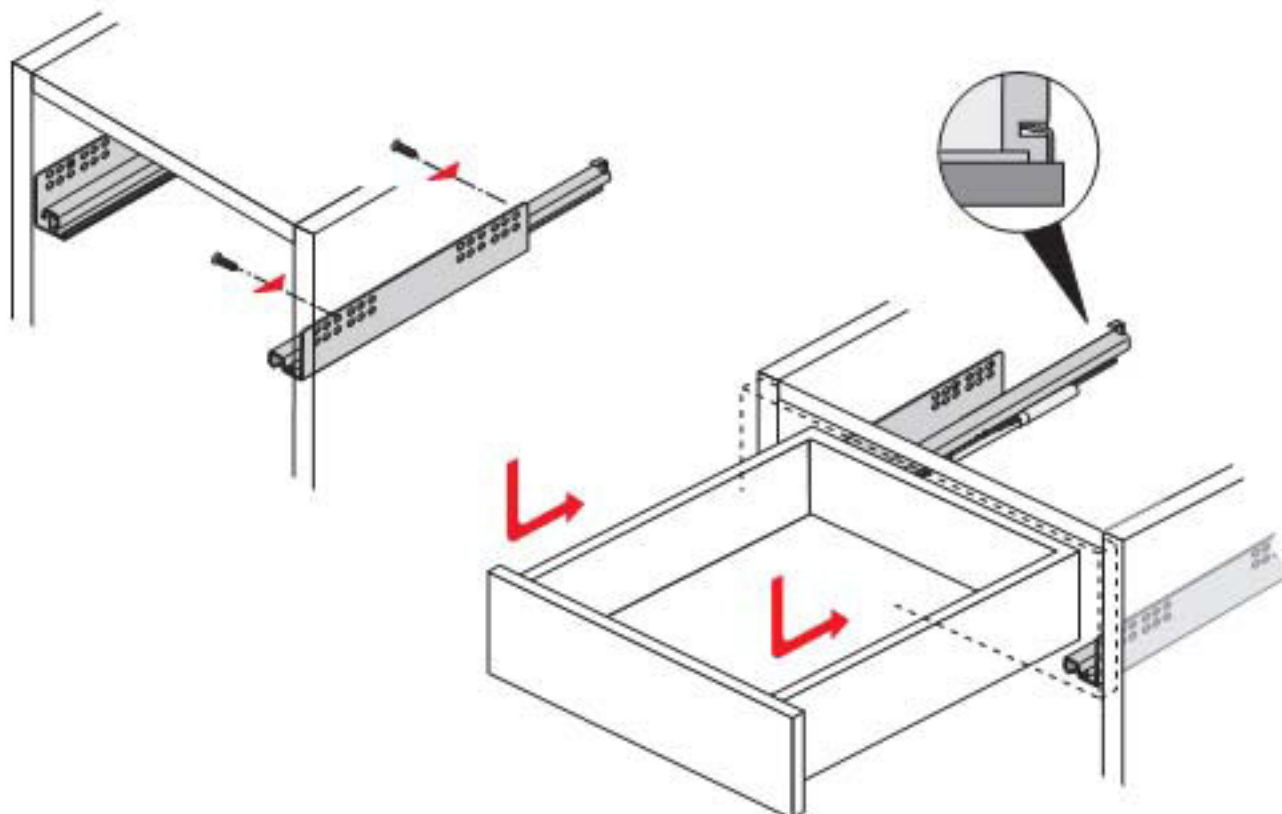


Assembly



Disassembly

